

## Model 127F Stak-O-Veyor

### Featured Benefits

- Waste divert gate
- Self-contained drive package
- Air jet stack assist
- Large turning drum
- Independent jogger drive with constant speed motor
- Independently adjustable joggers
- Optional Count Marking system
- Optional Press Speed Following System
- All controls on electrical panel for easy operation
- Mounted on casters for easy positioning
- More drum belts to carry minimum size product most effectively
- Stream shifting to align product with joggers and crusher roller

The Systems Technology Inc. **Model 127F Stak-O-Veyor** was designed to meet the needs of a variety of commercial printers in half web, combination folder, and in-line finishing applications. The unit easily changes over to one or two streams and can be used with bump turns to handle a multitude of products in a variety of space-saving layouts.

Product is jogged, crushed, and turned around a 16" diameter drum to produce tight stacks at waist high level while minimizing cracking, marking, and gussetting. The stacker can be unloaded from both sides or rear, and features simple no-tool adjustments, air jets to assist stacking, and a manually-activated waste divert gate.

### Benefits

- Built to increase productivity and profits
- Handles product configurations outside the normal combination folder type products such as single sheets and various in-line finished products depending on speed, paper weight, stream quality and other factors
- Produces higher stacks for less handling
- Stacks most products delivered by in-line finishing system as well as single and double delivery combination folders
- Reduces manpower
- Controls waste
- Fast set-up; on-the-fly running adjustments



### Systems Technology Inc.

1351 E. Riverview Dr. • San Bernardino • CA 92408 USA • Tel: 909.799.9950 • Fax: 909.796.8297  
www.systems-technology-inc.com

# Model 127F Stak-O-Veyor

## TECHNICAL SPECIFICATIONS

**Capacity:** Single or multiple streams, 2-32 page from 30# to 100# stock. Samples may be required. 3" (76mm) is required between streams. This unit is specifically designed for in-line finishing systems, cover production applications and dual stream combination folders.

**Product:** Operates well with most ILF products. Minimum Size: 3" (76mm) wide by 4" (102mm) long for single or double stream.

**Product Sizes:** Single Stream:  
23"W (584mm) x 23" L (584mm) maximum  
3"W (76mm) x 4" L (102mm) minimum

Dual Stream:  
10"W (254mm) x 23" L (584mm) maximum  
3"W (76mm) x 4" L (102mm) minimum

**Product:** While most products are stackable, any product format configuration that interferes with the fundamental understacking method may not be handled successfully. This might include "interfering" die-cuts, exposed flags, exposed adhesives, multiple fan folds that create an "unstable" stack, etc. Due to the nearly infinite variety of products capable of being produced by an in-line finishing system, no representation is made that all products will be adequately handled by the Model 127F.

**Speed:** Maximum product speed is 208 FPM (1.1 M/S)

**Signature App:**

75,000 impressions per hour with a 2" (51 mm) shingle. Press speeds are dependent on pagination, build rate, and manning.

**ILF application:**

Speeds up to 200,000 copies per hour can be attained depending on paper folds and product configurations.

**Waste Divert:** Manually-actuated, air-operated gate allows waste product or make-ready product to be diverted from the stacker.

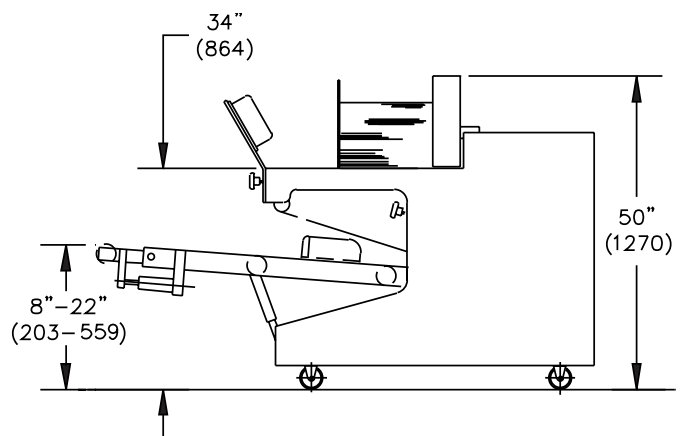
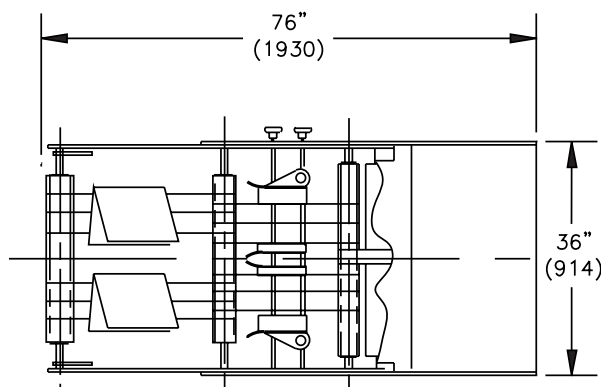
**Power Required:** 230 VAC, 1 PH, 50/60 HZ, 20A  
115VAC, 1PH, 50/60 HZ, 20A (other voltages available as options).

**Compressed**

**Air Required:** 40 PSIG (2.86 bar), 10 CFM (.28 m/min).

**Portability:** Four heavy-duty casters, quick-disconnect air hoses and plug-in power.

**Shipping Weight:** Approximately 1,000 lbs. (454 kgs).



Systems Technology Inc. reserves the right to change specifications without notice.  
This equipment covered by U.S. and Foreign Patents and Patents applied for.



1351 East Riverview Drive, San Bernardino, CA 92408  
TEL: 909-799-9950 • FAX: 909-796-8297  
www.systems-technology-inc.com

Rev: STI 8/05