

Model 127FW Stak-O-Veyor for In-Line Finishing and Cover Production Systems

Featured Benefits

- Waste divert gate
- Self-contained drive package
- Air jet stack assist
- Large turning drum
- Independent jogger drive with constant speed motor
- Independently adjustable joggers
- Optional Count Marking system
- Optional Press Speed Following System
- Fast set-up; on-the-fly running adjustments
- All controls on electrical panel for easy operation
- Mounted on casters for easy positioning
- More drum belts to carry minimum size product most effectively
- Stream shifting to align product with joggers and crusher roller

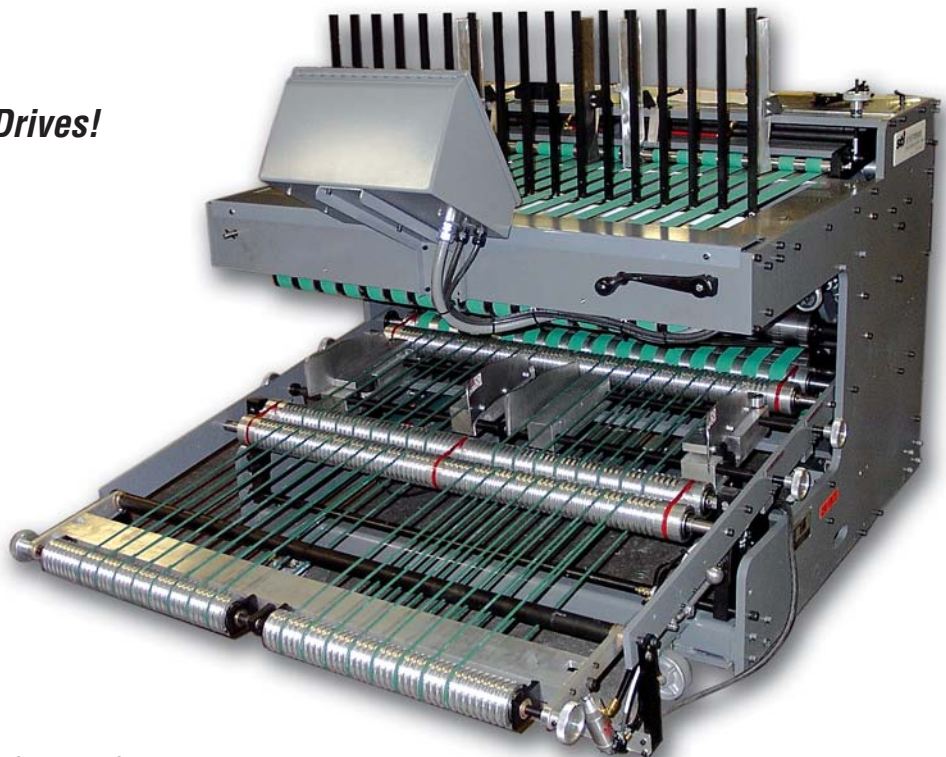
Now with AC Inverter Drives!

The Systems Technology Inc. **Model 127FW Stak-O-Veyor** was designed to meet the needs of a variety of commercial printers in half web, combination folder, and in-line finishing applications. The standard unit easily changes over to one or two streams. Multiple streams are available.

Product is jogged, crushed, and turned around a 16 inch diameter drum to produce tight stacks at waist high level while minimizing cracking, marking, and gussetting. The stacker can be unloaded from both sides or rear, and features simple no-tool adjustments, air jets to assist stacking, and a manually-activated waste divert gate.

Benefits

- Stacks most products delivered by in-line finishing systems, as well as single and double delivery combination folders
- Reduces manpower
- Controls waste
- Handles product configurations outside the normal combination folder type products such as single sheets and various in-line finished products depending on speed, paper weight, stream quality and other factors
- Successfully stacks a wide range of in-line finished plow folded, perfed, with multiple around delivery
- Produces higher stacks for less handling



Systems Technology Inc.

1351 E. Riverview Dr. • San Bernardino • CA 92408 USA • Tel: 909.799.9950 • Fax: 909.796.8297

www.systems-technology-inc.com

Model 127FW Stak-O-Veyor

TECHNICAL SPECIFICATIONS

Capacity: Single or multiple streams, 2-32 page from 30# to 100# stock (see product data for limitations). Samples may be required. 3" (76mm) is required between streams. This unit is specifically designed for in-line finishing systems and cover production applications.

Product Sizes: Single Stream:
41" W (1040mm) x 23" L (584mm) Max
3" (76mm) W x 4" L (101mm) Min
Dual Stream:
19" W (483mm) x 23" L (584mm) Max
3" (76mm) W x 4" L (101mm) Min
Three Stream:
11.5" W (292mm) x 23" L (584mm) Max
3" (76mm) W x 4" L (101mm) Min

Product: This stacker has the ability to handle product configurations outside the normal combination folder type products such as single sheets and various in-line finished products depending on speed, paper weight, stream quality and other factors. No "stackability" guarantees are provided regarding these products. However, it will successfully stack a wide range of in-line finished plow folded, perfed, with multiple around delivery. Four page covers and single sheet perfect bound covers nominal 11"(279mm) x 17"(432mm), extra full width or full cutoff generally require heavier weight stocks of over 100#. 80# to 100# may run acceptable. Under 80# may be difficult to stack and could require delivery reconfiguration and special operator attention to silicone and static elimination.

Features large 16" (406mm) diameter drum, "on-the-fly" size, jog, crusher adjustments, inlet spreader conveyor and 3/4"(19mm) side frames.

Speed: Maximum mechanical speed is 258 FPM (1.3 M/S). Press speeds are dependent on pagination, build rate, and manning.

Cover Prod. App: Has the capacity of running the standard cover production speeds of 1200 FPM to 1700 FPM (6.03 MPS to 8.64 M/S).

ILF application: Depending on paper folds and product configurations, speeds over 200,000 copies per hour can be attained.

Waste Divert: Manually-actuated, air-operated gate allows waste product or make-ready product to be diverted from the stacker.

Power Required: Standard Voltage is 230VAC, 1Ph, 50/60 Hz, 20Amps. (Other voltages available as options)

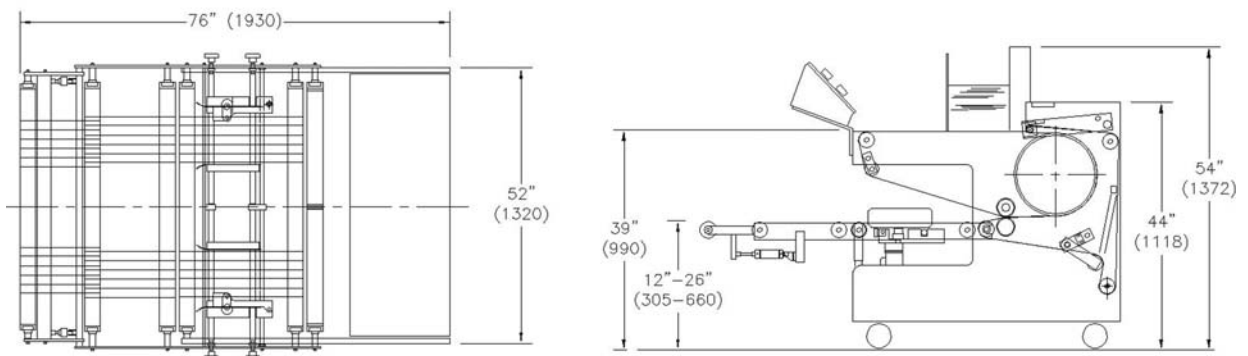
Manning: One operator can handle up to 24" (610mm) per minute of stacked product.

Compressed Air

Required: 40 PSIG (2.86 bar) at 10 CFM (.28 m/min) clean, dry air (air jets for stacking).

Options Include: Press Speed Following, Count marking System, Conveyors to fit any layout.

Shipping Weight: Approximately 2,500 lbs (1135kg).



Systems Technology Inc. reserves the right to change specifications without notice.
This equipment covered by U.S. and Foreign Patents and Patents applied for.



1351 East Riverview Drive, San Bernardino, CA 92408
TEL: 909-799-9950 • FAX: 909-796-8297
www.systems-technology-inc.com

Rev: STI 8/05