

LoadBuilder² **Automatic Palletizing** **System**

Featured Benefits

- Easily interfaces with existing horizontal and vertical stacker bundlers
- Reduces manning, improves ergonomics and reduces lost time injuries
- The LoadBuilder² includes all electrical panels designed on the equipment for quick and easy installation package resulting in faster production start up
- Can be designed to palletize bundles that are exiting from several stackers
- Optional automatic pallet feeding and placement designs
- Assortments of pallet conveying configurations to suit in plant material traffic flow
- Pallet rotation also available

The **LoadBuilder²** is an automatic palletizer system that is CE certified and is easily designed for the exact layout and requirements of pressroom applications. It features a stable, compact and rugged design in a two-axis gantry structure.

The **LoadBuilder²** can interface with horizontal and vertical stackers that produce bundles and can accommodate a wide variety of pallet sizes. Activated automatically, the pneumatic bundle clamp picks up strapped bundles, rotated 90 or 180° for spine placement before placing them onto a pallet. Fully loaded pallets are then easily removed by a fork truck, hand truck or automatically with optional full pallet conveyor system. Empty pallets are then placed manually or automatically with optional empty pallet conveyor system. Guarding is designed to include light curtains for pallet entry and exit points.

Systems Technology Inc. offers the industry's most extensive and knowledgeable sales and service network. Trained representatives are available to help you keep signatures running smoothly, efficiently and profitably in your pressroom and bindery departments.



Systems Technology Inc.

1351 E. Riverview Dr. • San Bernardino • CA 92408 USA • Tel: 909.799.9950 • Fax: 909.796.8297
www.systems-technology-inc.com

LoadBuilder²TM

Automatic Palletizing System



BENEFITS

- Rugged scissor lift, Z axis design
- Rack and pinion, X axis design
- AC motors with PLC feedback
- High speed cycle of up to 2 bundles per minute
- Simple controls
- Fast make ready featuring teach mode for production run recall
- Light curtain safety interlocks
- CE certified
- Smart-BurstTM processing runs at standard speeds in steady state to conserve power and reduce wear. When needed, Smart-Burst senses higher speed requirements and accelerates the machine speed as needed to maximum cycle rates.
- Pneumatic clamp with bundle rotation for 90° or 180° spine placement.
- No special servo systems
- No PC based computer systems
- No need for trained electrical experts

SPECIFICATIONS

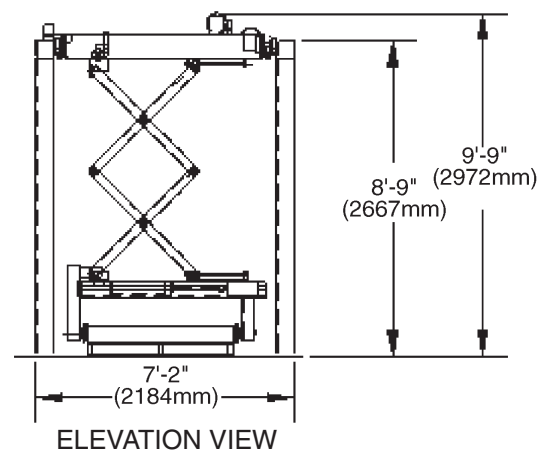
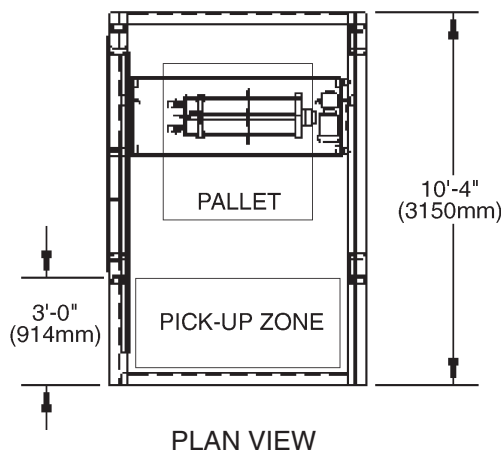
Electrical Power Supply: 230VAC – 3ph – 50/60Hz., 15 Amps

Pneumatic Requirements: 90 PSI, 6 SCFM @ 90 PSI

Compressed Bundle Range: 24" (610mm) Minimum, with optional adapters

Full Pallet Height: 54" (1372mm)

Z Axis Travel Limits: 60" (1524mm)



STI reserves the right to change specifications without notice.
This equipment covered by U.S. and Foreign Patents and Patents applied for.

sti SYSTEMSTM
TECHNOLOGY INC.

1351 East Riverview Drive, San Bernardino, CA 92408
TEL: 909-799-9950 • FAX: 909-796-8297
www.systems-technology-inc.com

Rev: STI 8/05